

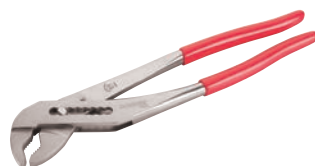
DOGHER
 TOOLS 



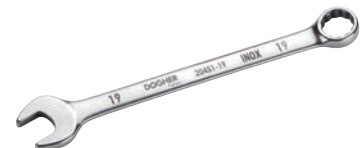
589



592



589



593



590



595



591



596

Inox 20000





The DOGHER TOOLS stainless steel tools are made of AISI 420. It is a martensitic, temperable and ferromagnetic stainless steel with resistance to corrosion, its tempering process provides the necessary hardness to face the day-to-day work.

Its high chromium content causes it to have excellent corrosion resistance. When it comes into contact with the environment, it naturally generates a protective layer of chromium oxide that protects the surface and regenerates each time the tool is damaged.



Another of the great advantages of Stainless steel, if we compare it with other metals, is its high resistance to extreme temperatures without suffering deterioration or alterations. Moreover, it is the metal that better resists the fire without releasing toxic fumes. On the other hand it can also be applied in winter temperatures without risk of embrittlement or breakage

DOGHER TOOLS stainless steel tools have excellent ductility, elasticity and hardness that make them ideal for any type of project. Similarly, they have excellent wear resistance.

All these features mean that we can use our Inox DOGHER TOOLS in the following fields:

1. Laboratories, biotechnology, biomedicine, white clean rooms, pharmaceutical...
2. Food process, wet facilities areas
3. Shipbuilding industry, construction, manufacturing, automobile, aeronautics, maritime applications, stations service and energy, chemical industry ...
4. Chemical industry
5. Desalination plants
6. Offshore (oil-gas)
7. Nuclear power plants



20025

5 Drawer Tool Cabinet

Inox
Aisi 304



• Drawer Dim.:
568 x 398 mm

460 mm 846 mm
 ↘ ↗
 680 mm

Part N°	€
20025-007	2.109,69

20025

7 Drawer Tool Cabinet

Inox
Aisi 304



• Drawer Dim.:
644 x 399 mm

500 mm 998 mm
 ↘ ↗
 760 mm

Part N°	€
20025-005	2.442,26

20266

Notch-joint Water Pump Plier

Inox
Aisi 420

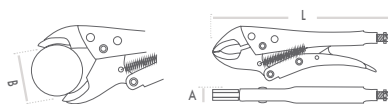


L mm	L"	Ø mm	Part N°	€
250	10	45	20266-250	131,53
300	12	55	20266-300	186,13

20275

Curved Jaws Locking Plier without Wire Cutter

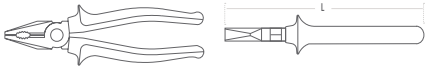
Inox
Aisi 420



L mm	L"	B mm	A mm	Part N°	€
225	9	30	12	20275-225	138,66

Inox

INOX Professional Series Pliers



20205

Professional Combination Plier

Inox

Aisi 420



L mm	L"	Part N°	€
160	6	20205-160	55,83
180	7	20205-180	69,93
200	8	20205-200	89,23

20212

Professional Diagonal Cutting Plier

Inox

Aisi 420



L mm	L"	Part N°	€
160	6	20212-160	59,92
200	8	20212-200	65,23

20213

Professional Heavy Duty Diagonal Cutting Plier

Inox

Aisi 420



L mm	L"	Part N°	€
200	8	20213-200	90,44

20208

Professional Long Nose Plier

Inox

Aisi 420



L mm	L"	Part N°	€
160	6	20208-160	60,29
200	8	20208-200	69,57

20210

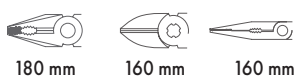
3 pliers Set Zipping

3

Pcs

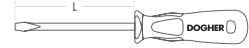
Inox

Aisi 420



Part N°	€
20210-002	190,14





20331

Straight



Aisi 420



A mm	L mm	Part N°	€
3	75	20331-030-075	6,50
4	75	20331-040-075	8,54
5	100	20331-050-100	12,77
6	100	20331-060-100	17,89
8	150	20331-080-150	22,46

20334

Phillips



Aisi 420



	L mm	Part N°	€
PH1	75	20334-PH1-075	12,57
PH2	100	20334-PH2-100	17,23
PH3	150	20334-PH3-150	23,97

20330

Plastic Box

5

Pcs



Aisi 420



Recta



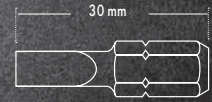
PH1 · PH2



Part N°	€
20330-002	69,00

INOX Screwdriver Bits

1/4" • 30 mm



20400

Phillips



Aisi 420



		Part N°	€/
PH1	5	20400-PH1-5	17,96
PH2	5	20400-PH2-5	17,96
PH3	5	20400-PH3-5	17,96

20401

Pozidriv



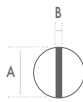
Aisi 420



		Part N°	€/
PZ1	5	20401-PZ1-5	17,96
PZ2	5	20401-PZ2-5	17,96
PZ3	5	20401-PZ3-5	17,96

20402

Slot



Aisi 420



A mm	B mm		Part N°	€/
4	0,8	5	20402-040-5	18,97
5,5	1	5	20402-055-5	18,97
6,5	1,2	5	20402-065-5	18,97

20403

Torx

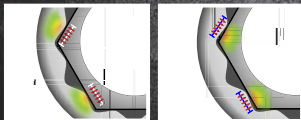


Aisi 420



		Part N°	€/
T10	5	20403-T10-5	20,28
T15	5	20403-T15-5	20,28
T20	5	20403-T20-5	20,28
T25	5	20403-T25-5	20,28
T30	5	20403-T30-5	20,28
T40	5	20403-T40-5	20,28

Effect of stress:



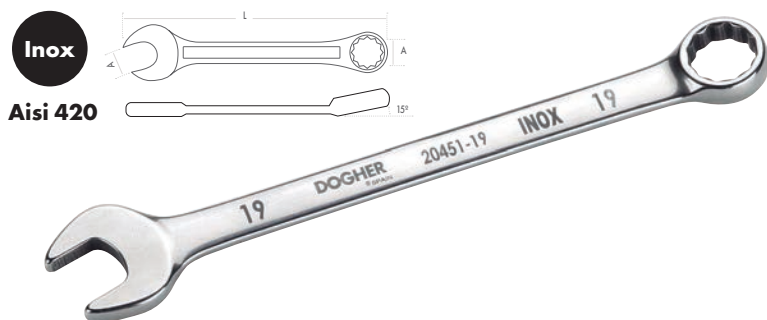
- On the wrench
- On the nut

Wrenches

INOX Combination Wrenches

20451

Combination Wrench



A mm	L mm	Part N°	€
8	120	20451-08	15,47
10	140	20451-10	16,68
11	150	20451-11	18,73
12	160	20451-12	19,53
13	170	20451-13	20,35
14	180	20451-14	21,17
15	190	20451-15	21,98
17	210	20451-17	24,42
19	230	20451-19	29,31

20451

Plastic Holder



Part N°	€
20451-016	111,93



Part N°	€
20451-018	165,66

20451

Carton Box



Part N°	€
20451-035	90,76



Part N°	€
20451-036	111,93



Part N°	€
20451-038	165,66

Inox

INOX Adjustable Wrench, T-Handles & Key Wrenches

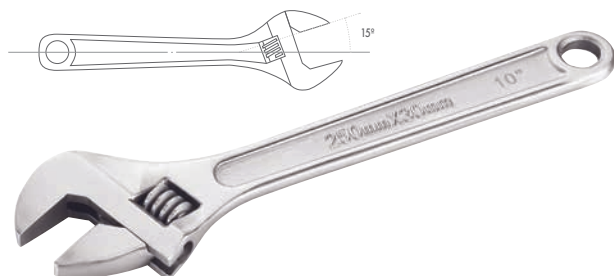


20493

Professional Adjustable Wrench



Aisi 420



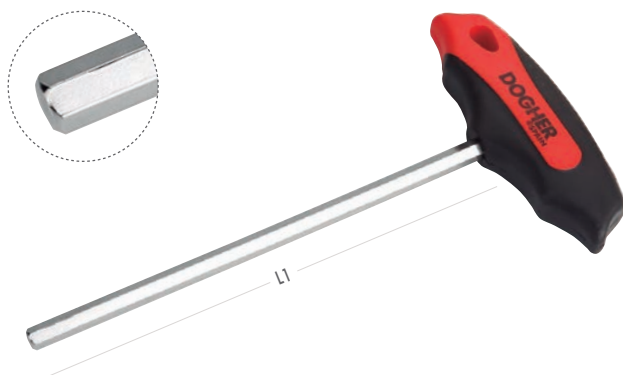
L mm	L "	mm	Part N°	€
100	4	15	20493-100	76,93
150	6	20	20493-150	89,07
200	8	25	20493-200	97,87
250	10	30	20493-250	121,17
300	12	36	20493-300	149,28
375	15	47	20493-375	225,72
450	20	60	20493-450	272,13

20618

Hex T-Handle



Aisi 420



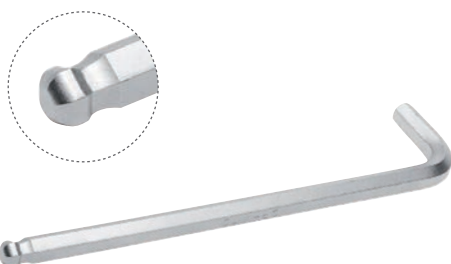
mm	L1 mm	Part N°	€
2	90	20618-02	13,41
2,5	100	20618-02,5	13,52
3	115	20618-03	14,28
4	120	20618-04	16,18
5	140	20618-05	18,84
6	160	20618-06	22,75
8	175	20618-08	29,95
10	200	20618-10	37,28

20605

Extra Long Ball Nose Hex Key



Aisi 420



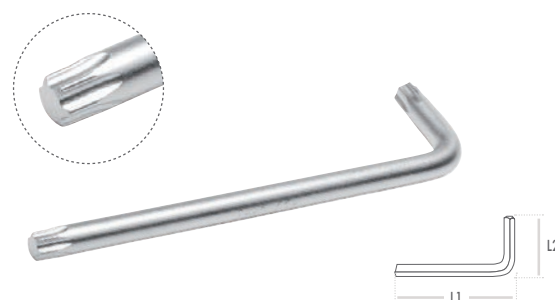
mm	L1 mm	L2 mm		Part N°	€
1,5	90	14	10	20605-01,5	6,50
2	100	15	10	20605-02	6,66
2,5	112	18	10	20605-02,5	6,70
3	126	20	10	20605-03	8,32
4	142	25	10	20605-04	8,70
5	160	28	10	20605-05	10,05
6	180	32	10	20605-06	10,32
8	200	36	5	20605-08	13,27
10	224	40	5	20605-10	15,41

20608

Long Torx Key



Aisi 420



mm	L1 mm	L2 mm		Part N°	€
T10	86	17	10	20608-T10	11,37
T15	90	18	10	20608-T15	12,41
T20	95	19	10	20608-T20	12,42
T25	100	20	10	20608-T25	12,78
T27	105	21	5	20608-T27	13,89
T30	114	24	5	20608-T30	14,16
T40	124	26	5	20608-T40	14,92
T45	137	29	5	20608-T45	15,44
T50	152	32	5	20608-T50	18,40

20531

Hexagonal



Aisi 420



mm	L mm	Part N°	€
8	38	20531-08	32,40
10	38	20531-10	33,47
11	38	20531-11	34,00
12	38	20531-12	35,07
13	38	20531-13	36,72
14	38	20531-14	39,85
17	38	20531-17	43,05
19	38	20531-19	47,36

20544

Ratchet Handle



Aisi 420



L mm	Part N°	€
245	20544-001	144,69

20531

Hexagonal

8

Pcs



8 • 10 • 11 • 12 • 13 • 14 • 17 • 19

Part N°	€
20531-051	301,92

20531

Hexagonal and Ratchet Handle

9

Pcs



8 • 10 • 11 • 12 • 13 • 14 • 17 • 19

Part N°	€
20531-062	446,61

Inox

INOX Hammers



20701

Ball Peen Hammer Fiberglass Handle

Inox

Aisi 420



g	L mm	Part N°	€
230	285	20701-230	34,97
340	285	20701-340	47,03
450	300	20701-450	50,64
680	325	20701-680	90,44
910	355	20701-910	104,91
1130	370	20701-1130	119,37

20705

German Type Hammer Fiberglass Handle

Inox

Aisi 420



g	L mm	Part N°	€
1000	390	20705-1000	102,49
1500	395	20705-1500	144,69
2000	400	20705-2000	185,68
2500	745	20705-2500	233,92
3000	745	20705-3000	277,33
3600	750	20705-3600	331,58